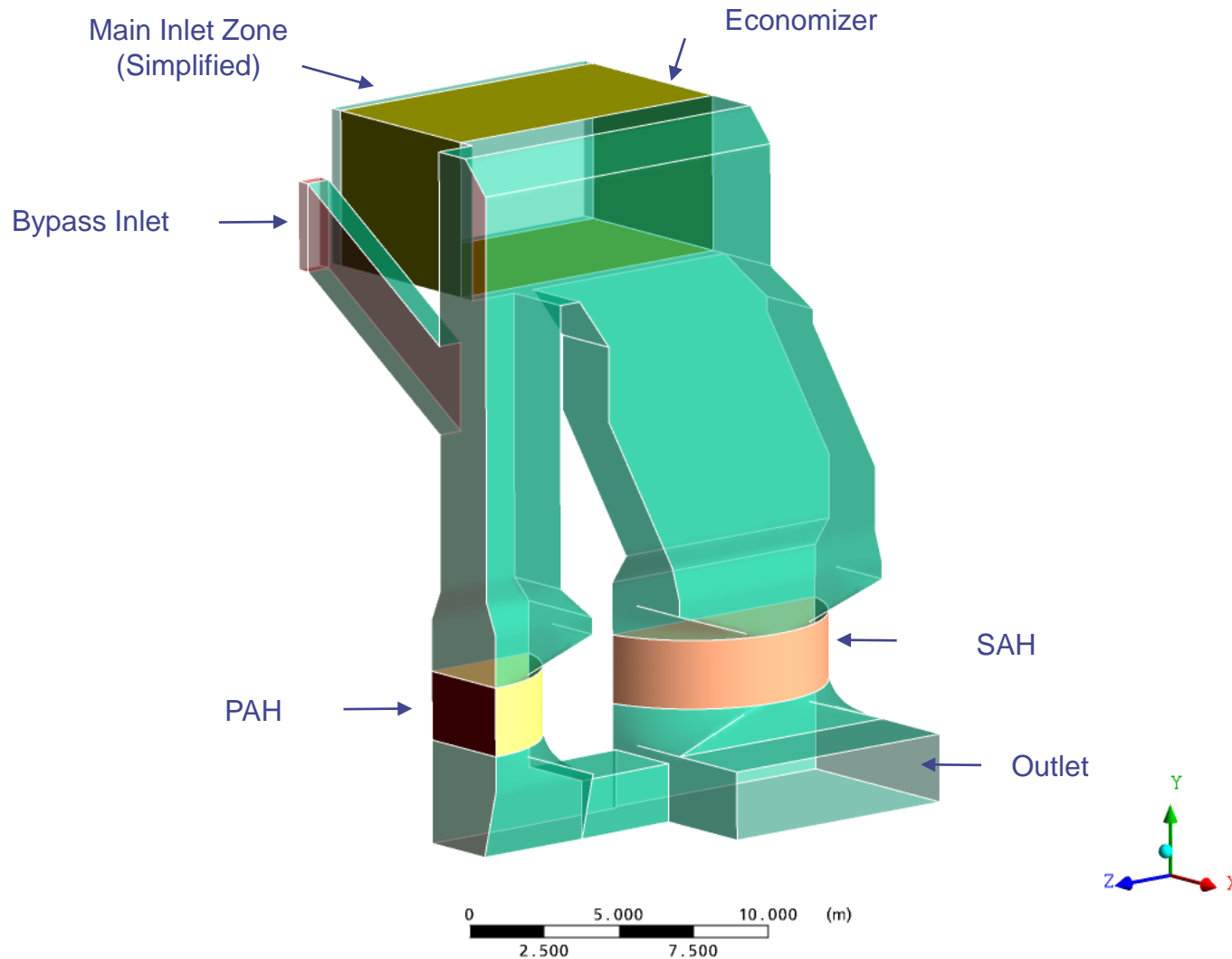


Regenerative Air Heater - CFD Model Results

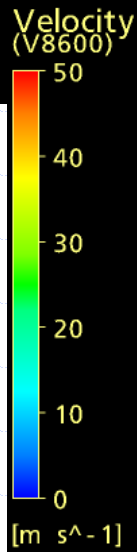
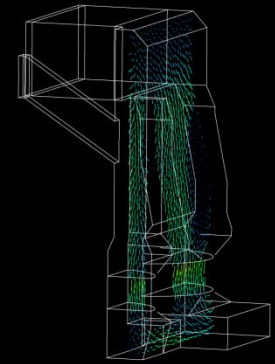


Model Geometry, Rear View

Regenerative Air Heater - CFD Model Results

Baseline

ANSYS



Notes:
1. Low flow/
recirculating zone

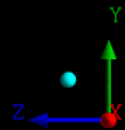
PAH

Inlet

Note 1

Outlet

SAH



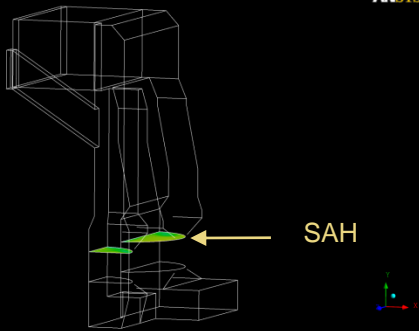
Upstream Duct Velocity Vector Plot

Engineering Services to the
Utility and Industrial Boiler Business

Regenerative Air Heater - CFD Model Results

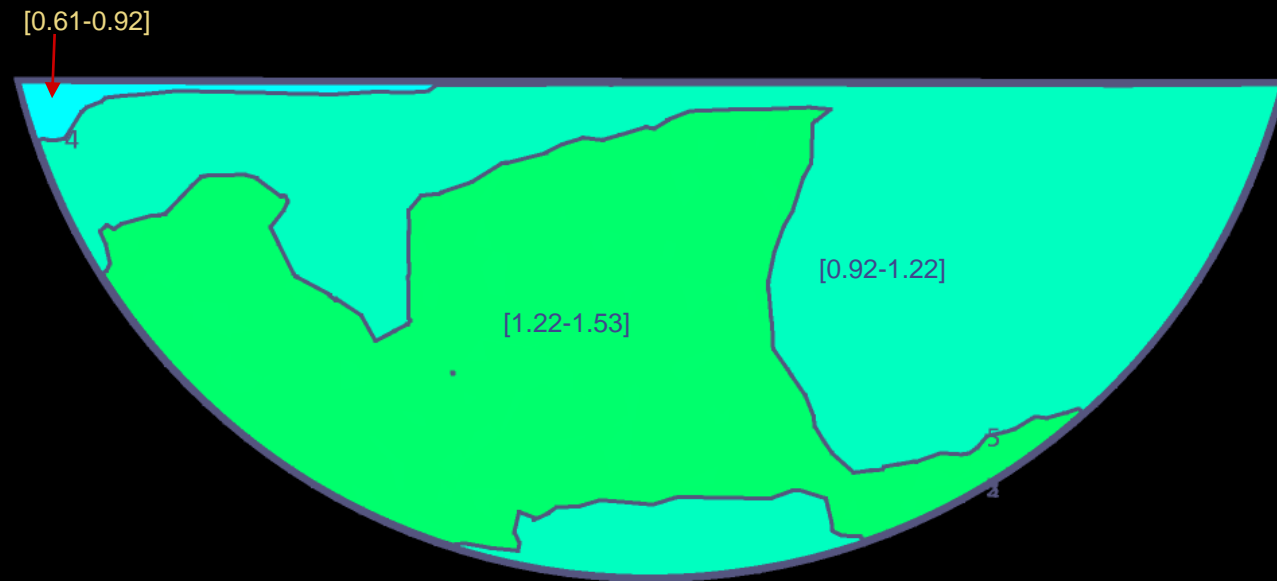
Baseline

ANSYS



Notes:

1. SAH Inlet Plane.
2. $>2/1$ Velocity distribution across inlet.
3. [Range] – Normalized velocities relative to V_{avg} .
4. $V_{avg} \sim 13.2$ m/s (upstream of matrix)



Gas Side Velocity Distribution at SAH Inlet
(Plan View)

Engineering Services to the
Utility and Industrial Boiler Business